

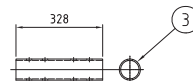
VIEW FROM ROAD

1:50

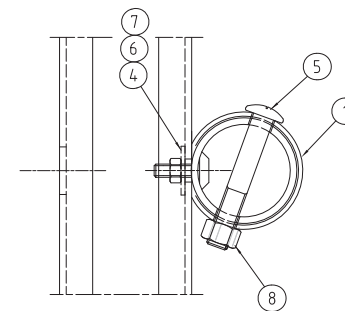
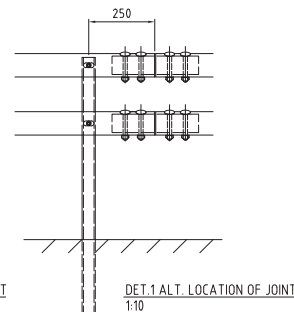
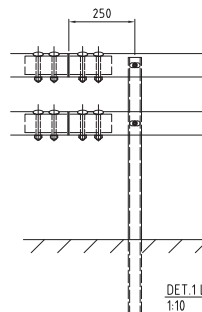


VIEW FROM ABOVE

1:50



JOINT TUBE
1:10



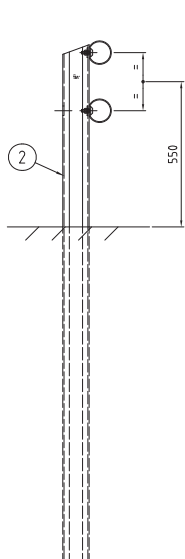
DET. 2
1:2

REGULATIONS

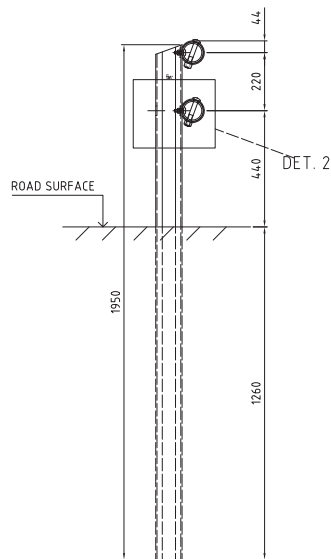
PERFORMANCE AND ASSEMBLING ACCORDING TO
CEN EN 1317

LEGENDS

HDG HOT DIP GALVANISING



A - A
1:10



B - B
1:10

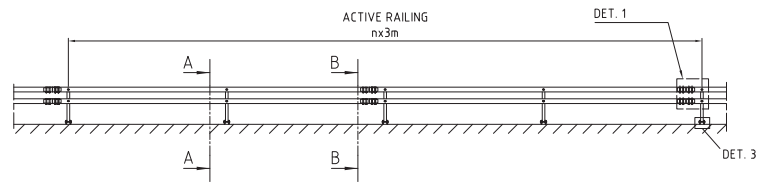
This document is the property of Birstaverken AB and may not, without written permission from Birstaverken AB, be copied, in part or to a third party or used for any other unauthorized purpose

Item No	Qty	Description	Material	Dimension	Note
8	1	HEX NUT	8 HDG	M16	
7	1	HEX NUT	8 HDG	M10	
6	1	MOUNTING WASHER		13x24	
5	1	FILLISTER HEAD SCREW	8.8	M16x105	
4	1	T-SCREW	4.6	M10x30	
3	1	JOINT TUBE	S 355	∅ 80x5	DRAWING NR. 8263
2	1	POST C-PROFILE	S 355	100x50x25x5	DRAWING NR. 8262
1	1	GUARD RAIL	S 355	∅ 88.9x3.2	DRAWING NR. 8261

Birstaverken AB
Tel: 080 - 62 72 00 Fax: 080 - 62 72 16, 62 72 18

DESIGNED BY: CRN QUANTITY BY: ROSSIGNOL DRAWN BY: ROSSIGNOL
DATE: 2010-10-04

STATUS	CE-DOCUMENT
GUARD RAIL Birsta 2P POST SPACE 3000	
PROJECT	826-0001-CE
SKALA	1:50
ANSÄTT	



VIEW FROM ROAD

1:50



VIEW FROM ABOVE

1:50



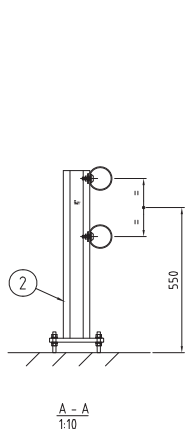
TRAFFIC DIRECTION

REGULATIONS

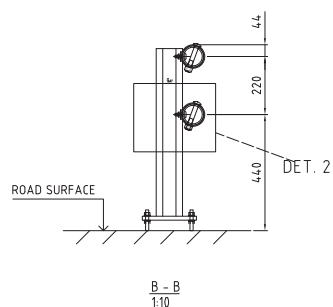
PERFORMANCE AND ASSEMBLING ACCORDING TO
CEN EN 1317

LEGENDS

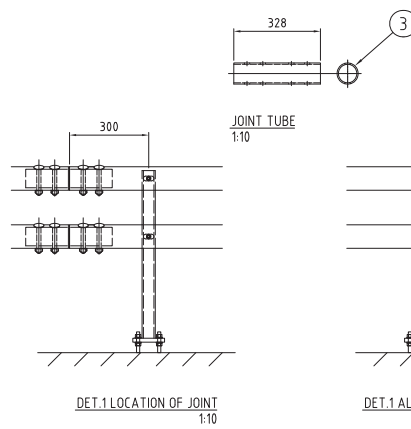
HDG HOT DIP GALVANISING



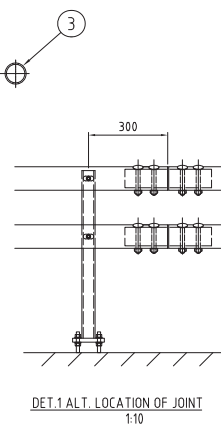
A - A
1:10



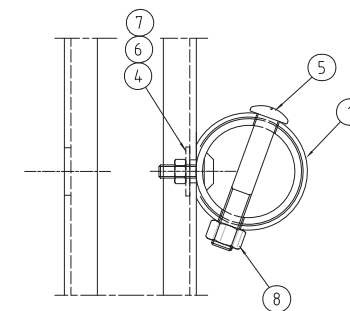
B - B
1:10



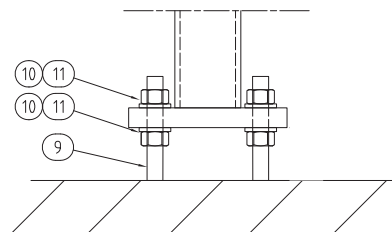
DET. 1 LOCATION OF JOINT
1:10



DET. 1 ALT. LOCATION OF JOINT
1:10



DET. 2
1:2



DET. 3 (1:2)

Item No	Qty	Description	Material	Dimension	Note
11	1	WASHER	HDG	13x24	
10	1	HEX NUT	8 HDG	M12	
9	1	STUD BOLT	A4 50	M12	
8	1	HEX NUT	8 HDG	M16	
7	1	HEX NUT	8 HDG	M10	
6	1	MOUNTING WASHER		13x24	
5	1	FILLISTER HEAD SCREW	8.8	M16x105	
4	1	T-SCREW	4.6	M10x30	
3	1	JOINT TUBE	S 355	ø 80x5	DRAWING NR. 8263
2	1	POST C-PROFILE	S 355	100x50x25x5	DRAWING NR. 826118
1	1	GUARD RAIL	S 355	ø 88.9x3.2	DRAWING NR. 8261
		Material	Dimension	Note	

Parts List

This document is the property of Birstaverken AB and may not, without written permission from Birstaverken AB, be copied, in part or to a third party or used for any other unauthorized purpose

Birstaverken AB
Tel: 080 - 82 72 00 Fax: 080 - 82 72 16, 82 72 16

HEAD DESIGN BY: JLA
DATE: 2012-11-22

STATUS	CE-DOCUMENT
PROJECT	GUARD RAIL Birsta 2P POST SPACE 3000
REVISIONS	SKALA 1:50
DATE	826-0005-CE