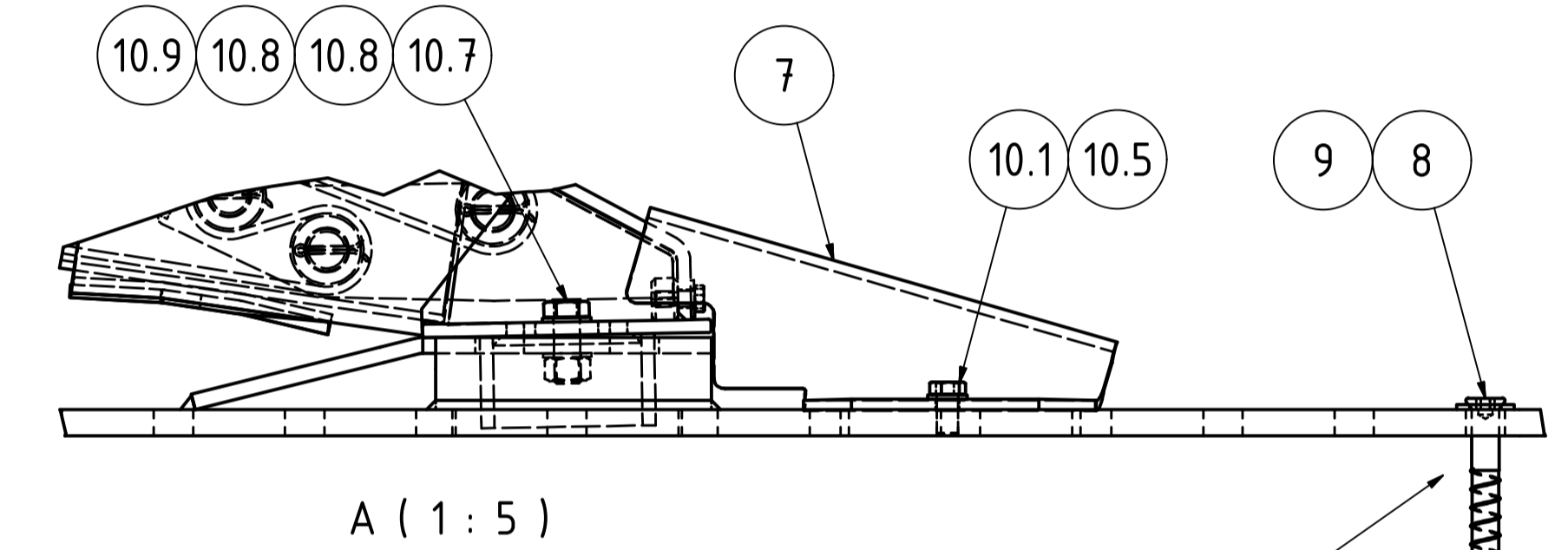
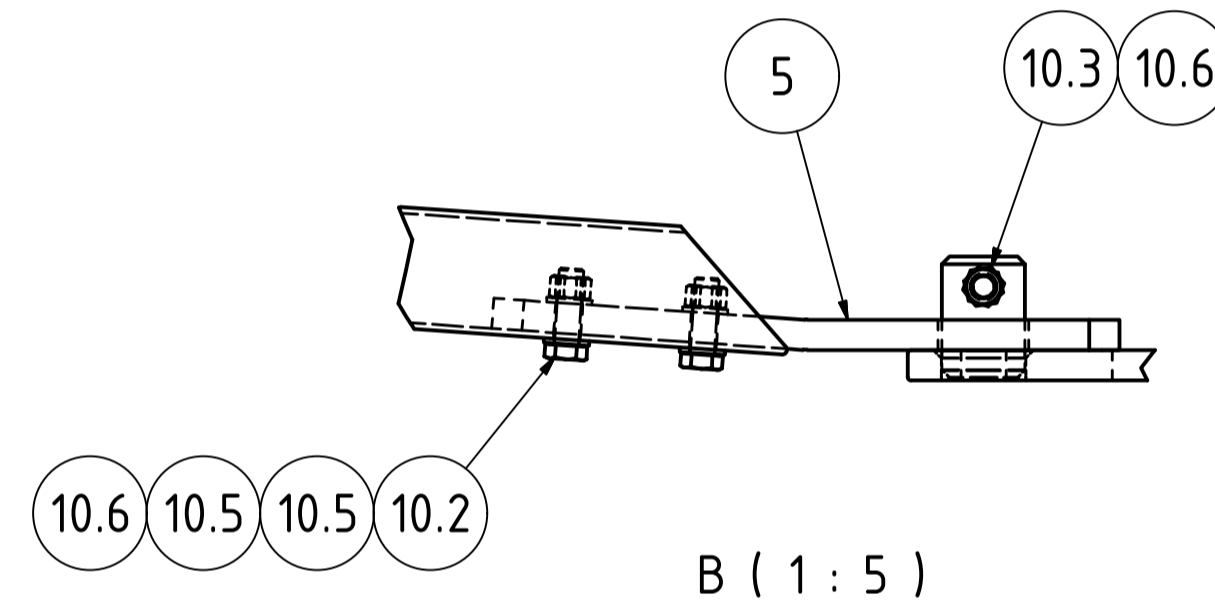
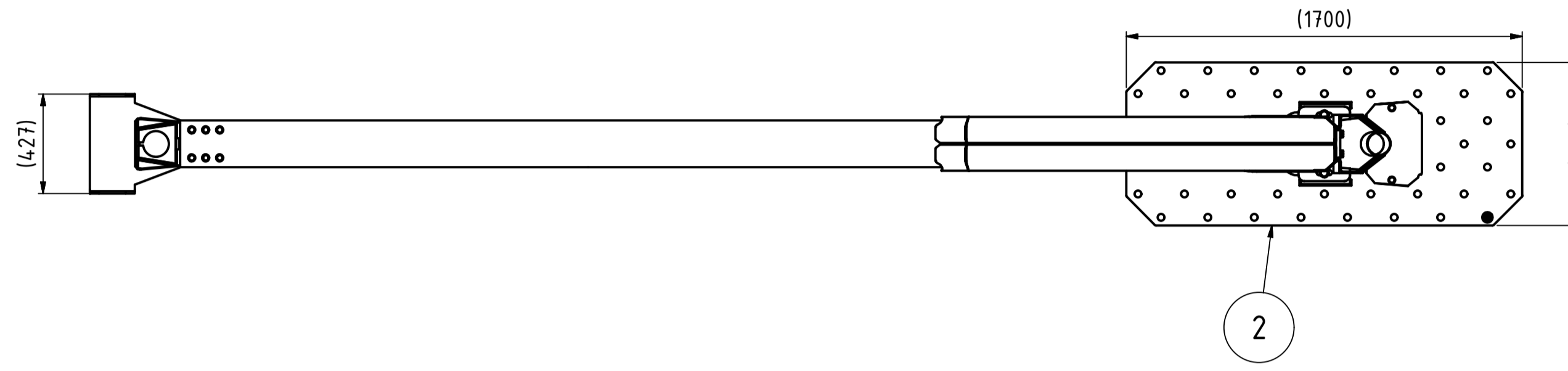
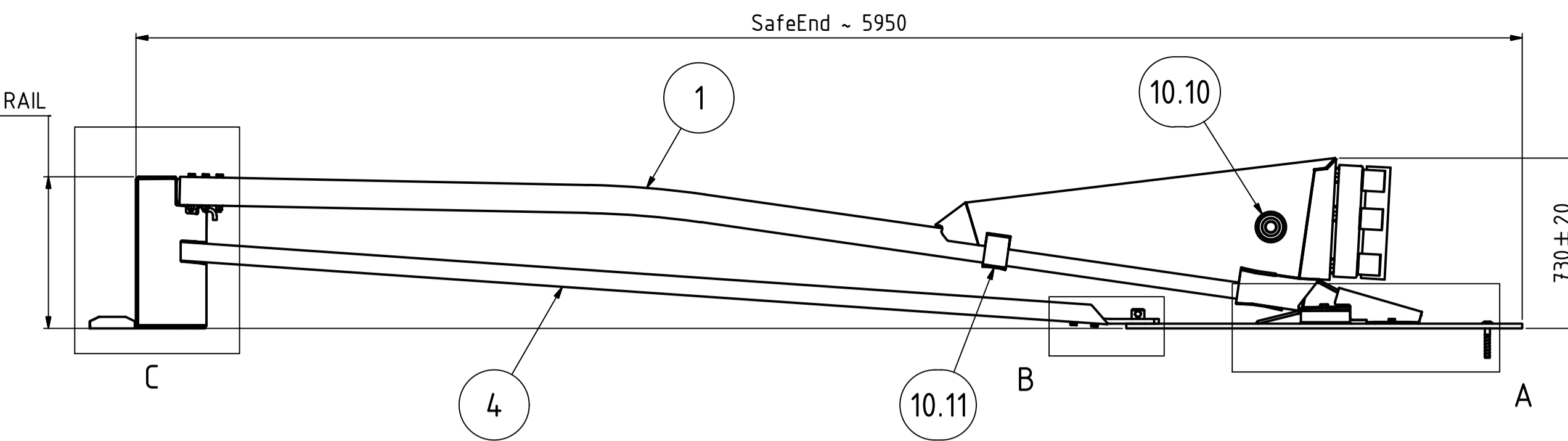
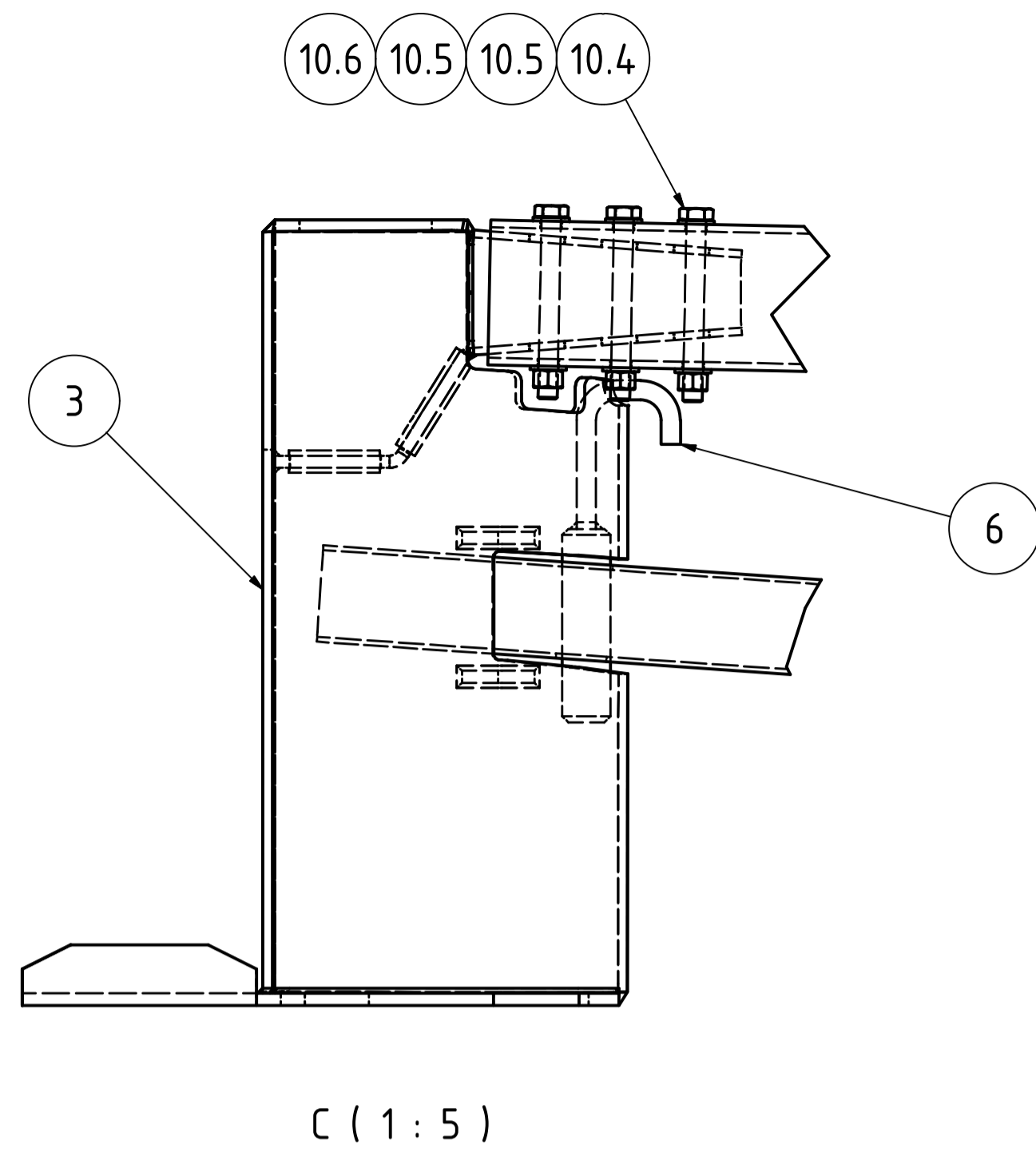


**REGULATIONS**

ENV 1317-4  
EN ISO 1461 (HOT DIP GALVANIZING)

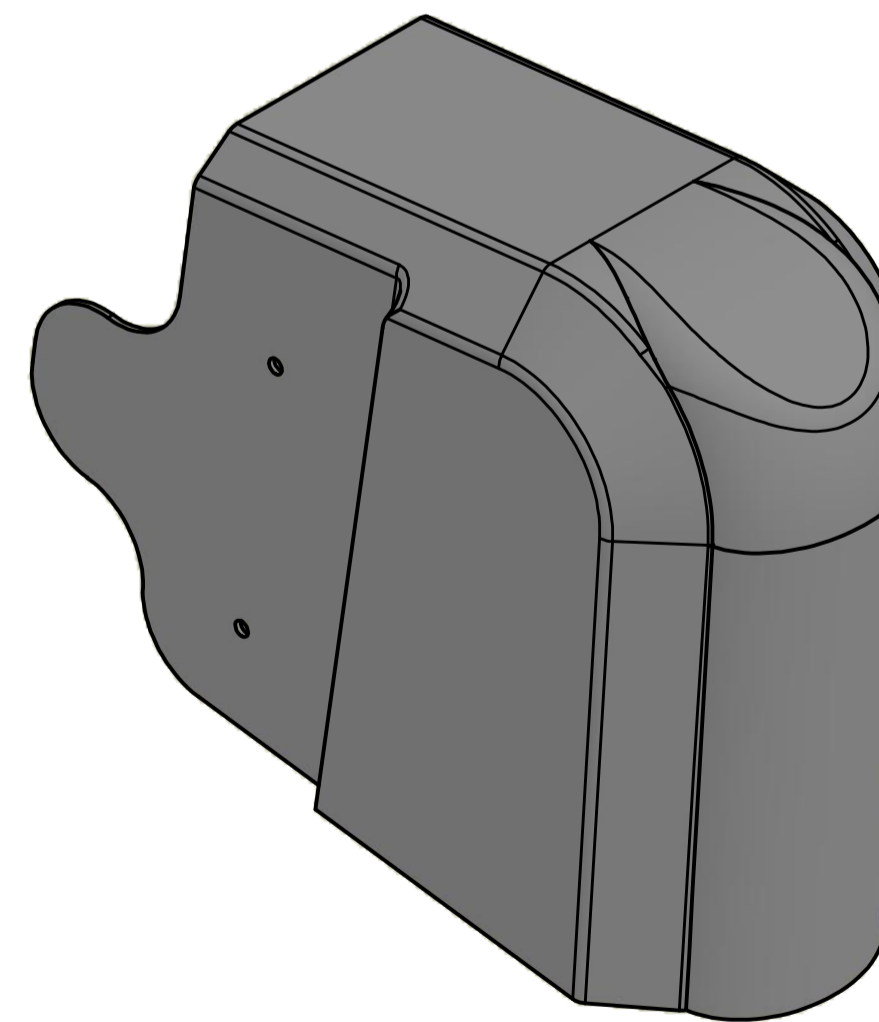
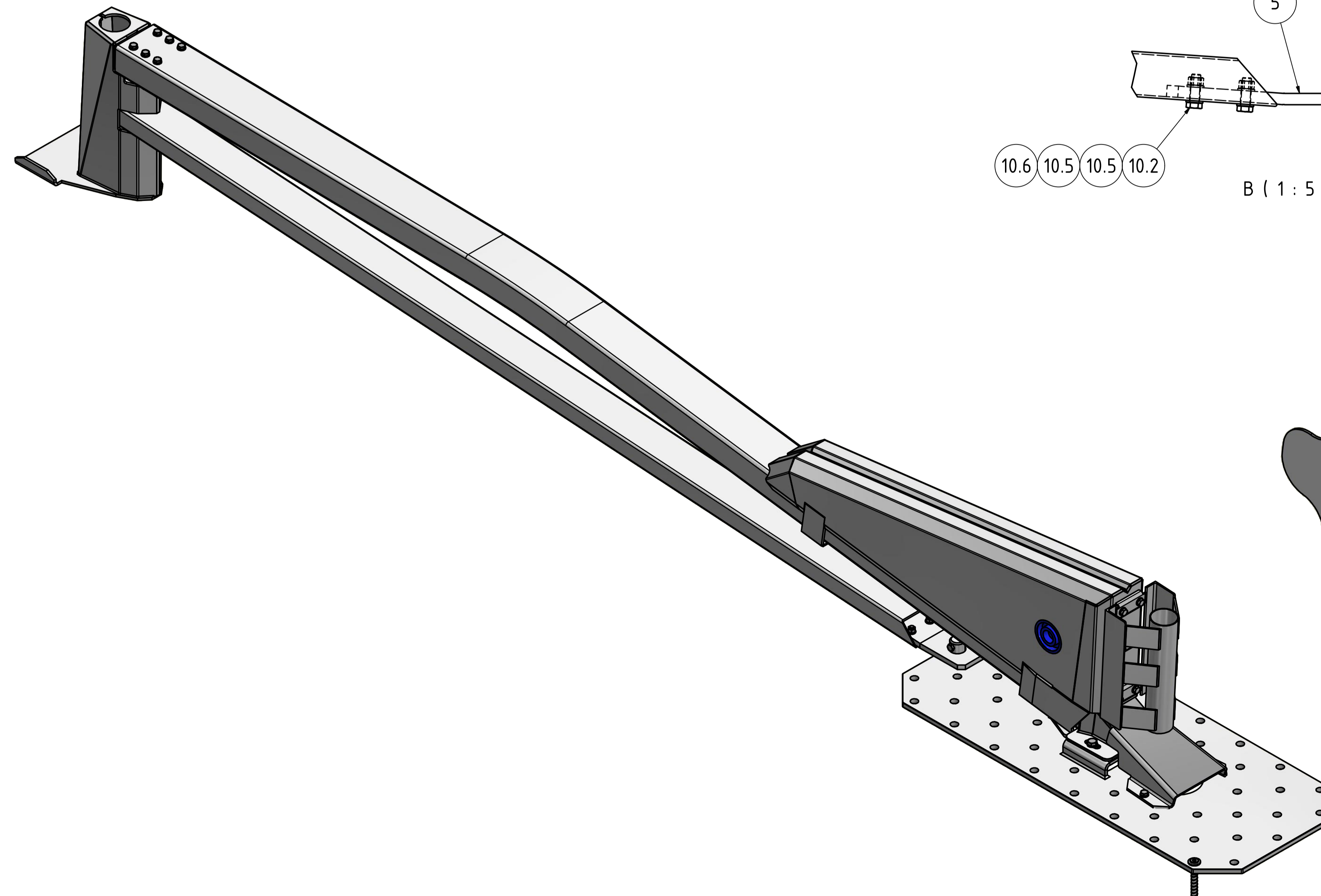
ADDITIONAL INFORMATION ACC. TO ENV 1317-4

PERFORMANCE LEVEL: P2  
IMPACT SEVERITY LEVEL: B  
LATERAL DISPLACEMENT CLASS: D1.1  
REDIRECTION ZONE: Z2



**MOUNTING ALTERNATIVE**

1. ASPHALT SCREW, 17 ON ONE SIDE, Pos. 8+9
2. ASPHALT SCREW, 9 ON EACH SIDE, 18 TOT, Pos. 8+9
3. ANCHOR NAIL, 10 ON ONE SIDE, Pos. 8.1
4. ANCHOR NAIL, 5 ON EACH SIDE, 10 TOT. Pos. 8.1



OPTION: 8920081  
PLASTIC COVER MOUNTED ON SITE WITH 4x MAURUTEX SCREW A2 M5,5x32 (SCREW PART OF MOUNTING KIT 1120161500A).

CAN BE PROVIDED WITH VARIOUS TYPE OF REFLEX, POINTING TO RIGHT, LEFT OR MIDDLE EX.

HDG. IN PART LIST STANDS FOR HOT DIP GALVANIZING ACCORDING TO SS-EN ISO 1461  
BOLT, SCREWS & NUTS ACC. TO EN ISO 10648

Item No	Qty.	Description	Material	Dimension	Note
10.11	2	WEDGE	PET Plastic		3190004.001
10.10	2	SafeEnd SIDE CAP	PET Plastic		8920082
10.9	2	HEX NUT M20	HDG	M6M M20	1123200000
10.8	4	WASHER	HDG	21 x 37	1126213600
10.7	2	SCREW M20	HDG	M20 x 50	1120200500
10.6	11	HEX NUT M16	HDG	M6M M16	1123160000
10.5	22	WASHER	HDG	17 x 30	11261734.00
10.4	6	BOLT M16	HDG	M16 x 150	1120161500
10.3	1	SCREW M16	HDG	M16 x 80	1120160800
10.2	4	SCREW M16	HDG	M16 x 50	1120160500
10.1	2	SCREW M16	HDG	M16 x 30	1120160300
10	1	SafeEnd T. MOUNTING KIT			1120161500A
9	1	WASHER	HDG	RB 25 x 45	1126264500
8.1	10	ANCHOR NAIL	HDG		8920024
8	18	ASPHALT SCREW 22\155			1112221550
7.1	1	FRONT COVER PLATE WITH SIGN POST	HDG	H ~1500	8921117 OPTION
7	1	FRONT COVER PLATE	HDG		8921113
6	1	LOCK BAR	HDG		105462
5	1	CONNECTION PLATE	HDG		
4	1	GUIDE BEAM	HDG		
3	1	CONNECTING ELEMENT	HDG		8920044
2	1	ANCHOR PLATE	HDG		8921112
1	1	SafeEnd P2 / T80	HDG		8921108

INSTALLATION DRAWING In Review

Design	Drawn	Copied	Checked	Stand.	Appr.	Scale	Replaces	Replaced by
GLN	GLN		LGN		FSO	1:20		

<b>SAFEROAD</b>	SafeEnd P2 DELTABLOC DB 65S	592,2 kg	Date: 2015-09-21
	SafeEnd 40		Rev.