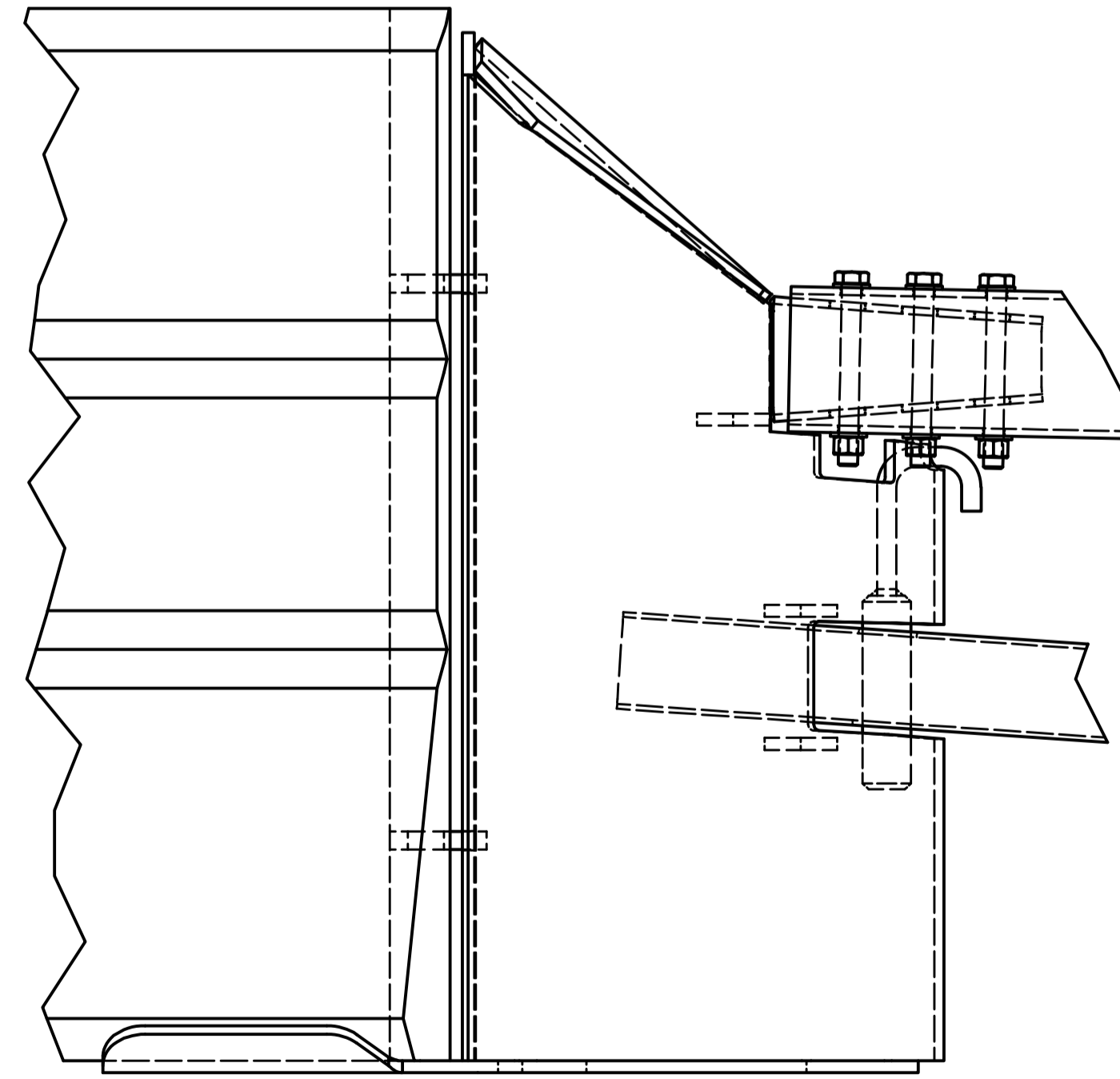
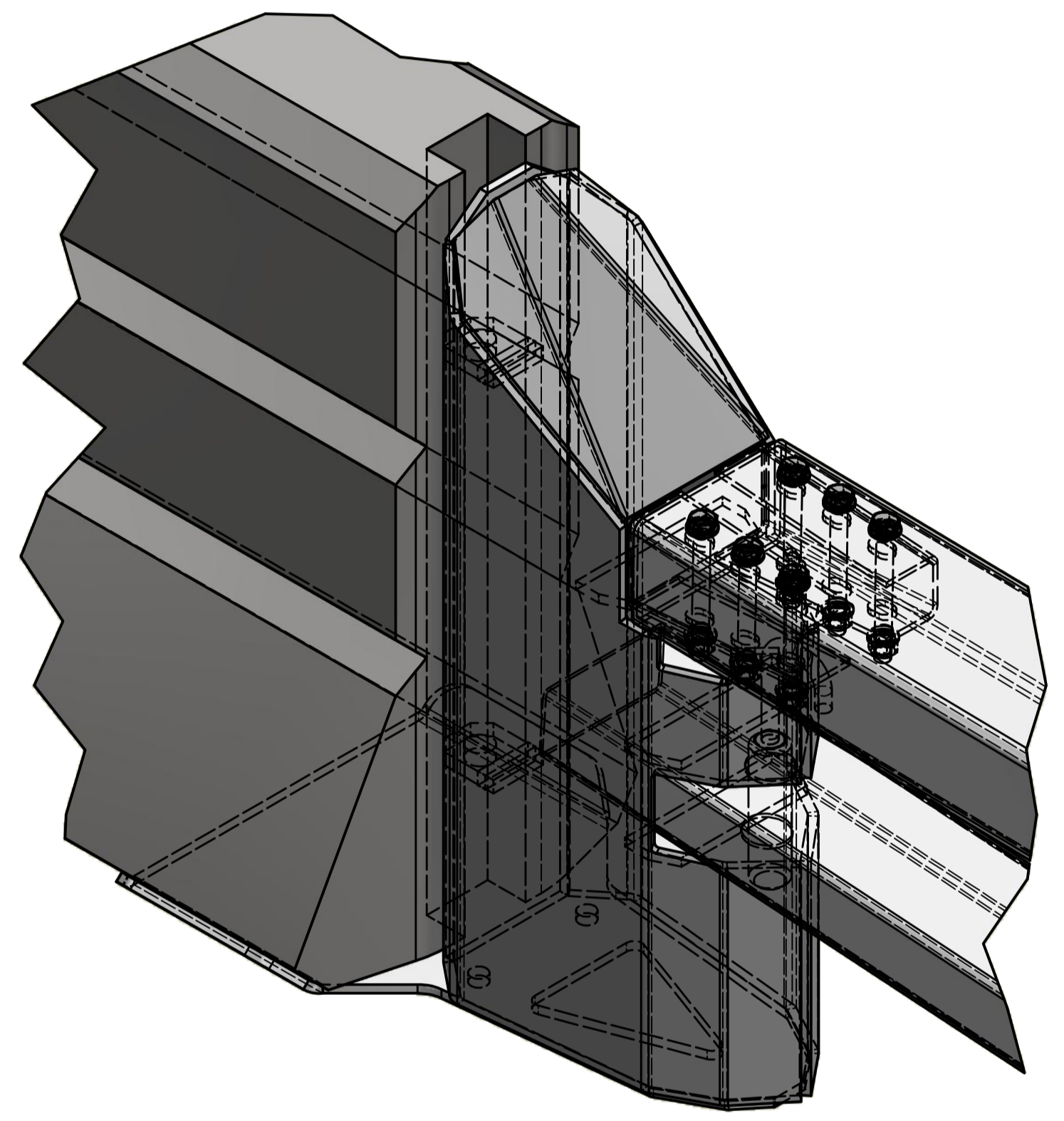
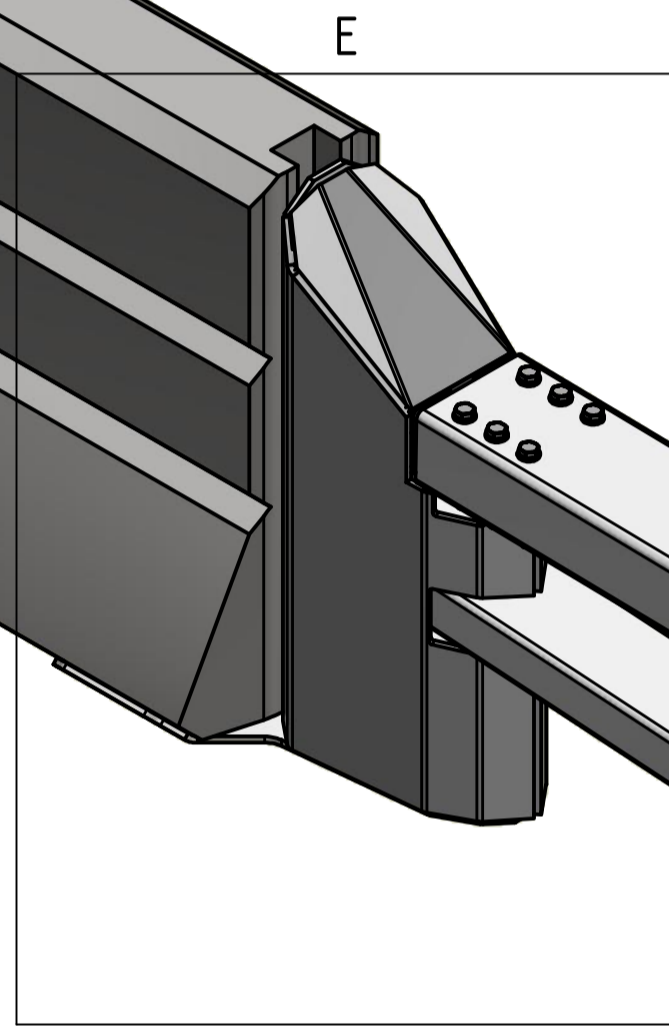
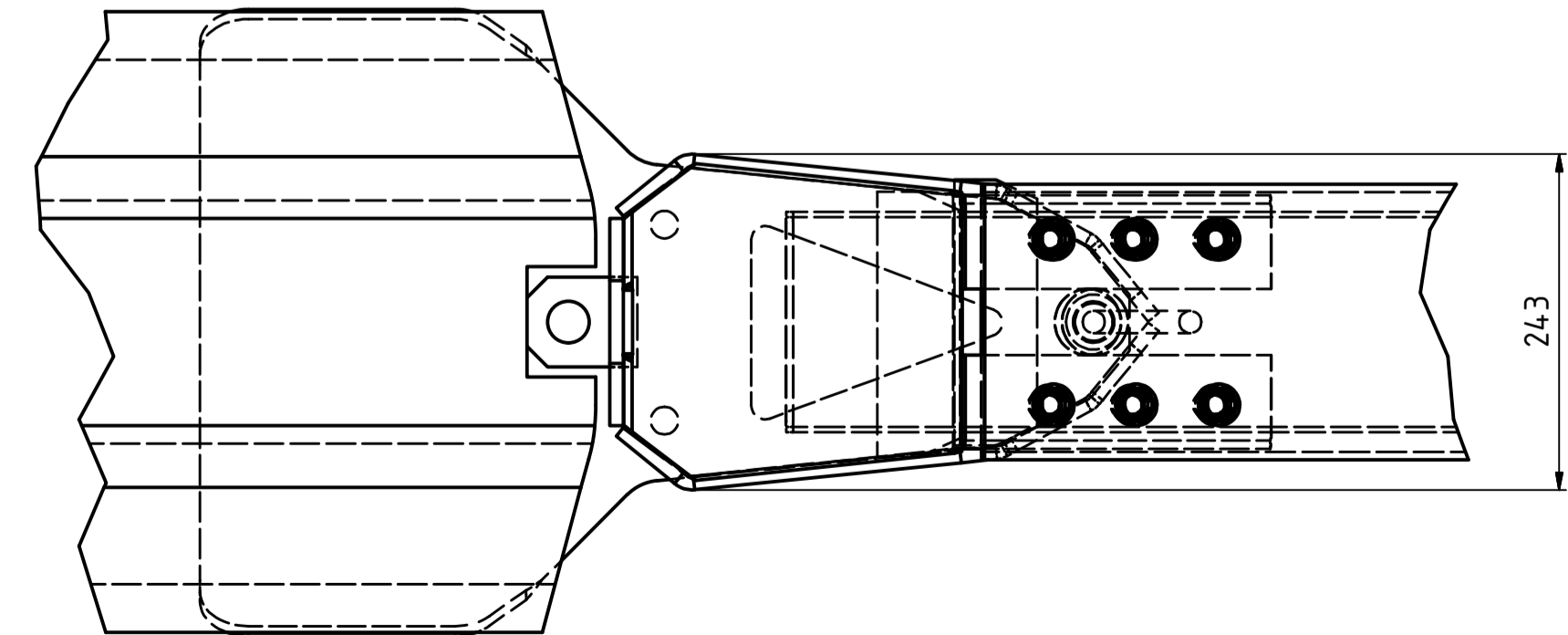


E (1 : 5)



C (1 : 5)



D (1 : 5)

INSTALLATION DRAWING				Work in Progress					
Design GLN	Drawn GLN	Copied	Checked LGN	Stand	Appr. FSO	Scale 1:20	Replaces	Replaced by	
SAFEROAD® SafeEnd P2							2150.1 kg	Date 2015-09-21	
Copy of SafeEnd 40							Drawing no.	Rev.	
Sheet 1								bv A1	