

Flexcorner

DB 80 K150S

surface mounted

K780337A

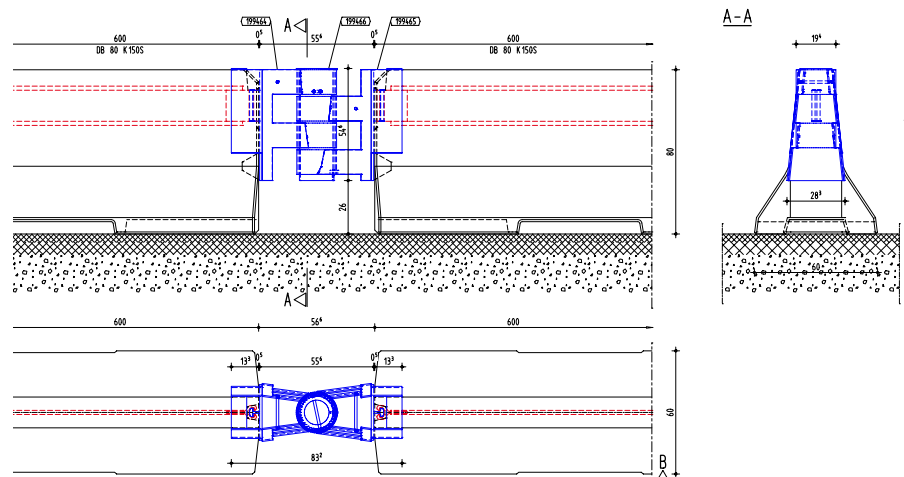
PRODUCT DATA SHEET

Description	The optional accessory DB Flexcorner enables a secure and flexible connection between DB 80 safety barrier elements. It allows an installation with angles between 180° and 90°. The solution serves especially as protection of small-scaled construction sites in urban areas.
Components	DB Flexcorner – three-piece solution: shroud piece 1, shroud piece 2, coupling pipe

System series	DB 80
Tension bar	K150S
Design	Generation 1
Product variant	
Test according to EN 1317-2	no

System height	80 cm
System width	60 cm
Dimensions of element (l × w × h)	83 (56) × 60 × 80 cm
System weight	89.7 kg

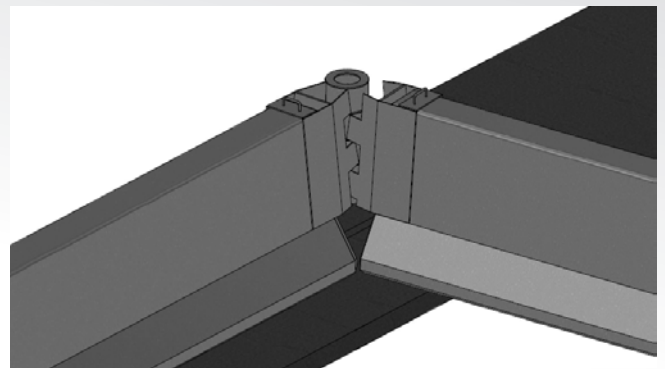
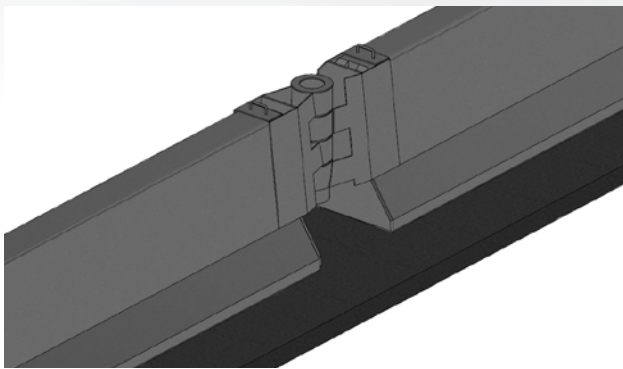
Mode of operation	double sided
Mode of installation	surface mounted
Article number / Installation drawing	- / K782337



THE NEW DB 80 SERIES PROTECTS WITH MODULAR SAFETY

The holistic H2 safety concept
for the central reserve, verge and bridge.

EXAMPLE FOR APPLICATION



KIRCHDORFER
ROAD & TRAFFIC

DELTABLOC®

DELTABLOC INTERNATIONAL GMBH

Kirchdorfer Platz 2
2752 Wöllersdorf, Austria
office@deltabloc.com
+43 57715 / 470 – 0
deltabloc.com

**HOME OF
ROAD SAFETY**