

Flexcorner

DB 65S K120S

surface mounted

K764460A

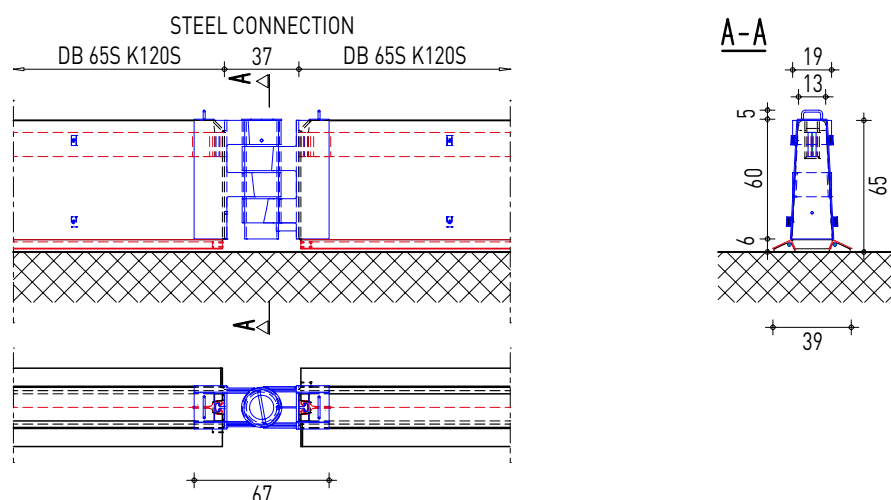
PRODUCT DATA SHEET

Description	The optional accessory DB Flexcorner enables a secure and flexible connection between DB 65S safety barrier elements. It allows an installation with angles between 180° and 90°. The solution serves especially as protection of small-scaled construction sites in urban areas.
Components	DB Flexcorner – three-piece solution: shroud piece 1, shroud piece 2, coupling pipe

System series	DB 65S
Tension bar	K120S
Design	Generation 1
Product variant	
Test according to EN 1317-2	no

System height	65 cm
System width	39 cm
Dimensions of element (l x w x h)	67 (37) x 39 x 65 cm
System weight	89.7 kg

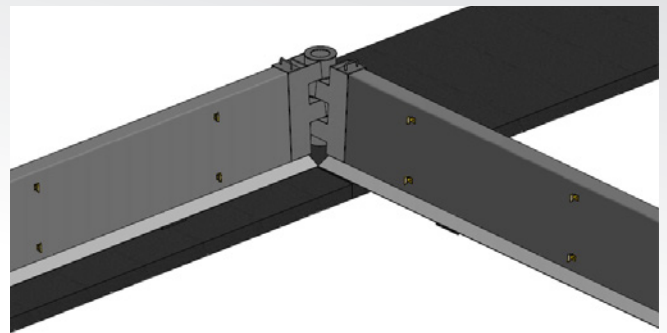
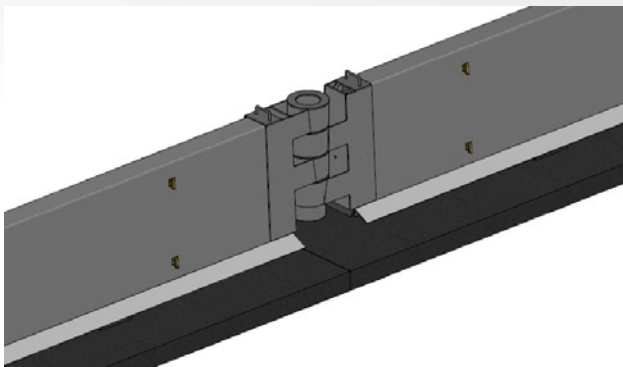
Mode of operation	double sided
Mode of installation	surface mounted
Article number / Installation drawing	196348 / K764460A



THE LIGHT DB SERIES PROTECTS WITH MODULAR SAFETY & SAVES TRANSPORT COSTS.

Compact dimensions together with high performance
up to H1 for more safety on temporary work zones.

EXAMPLE FOR APPLICATION



DELTABLOC®

DELTABLOC INTERNATIONAL GMBH

Kirchdorfer Platz 2
2752 Wöllersdorf, Austria
office@deltabloc.com
+43 57715 / 470 – 0
deltabloc.com

HOME OF ROAD SAFETY